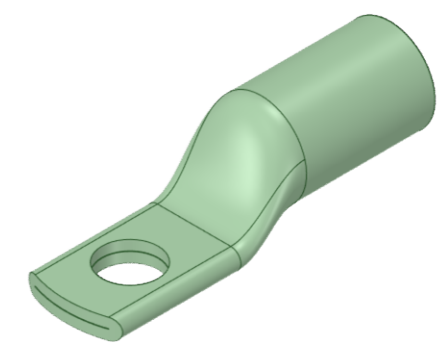
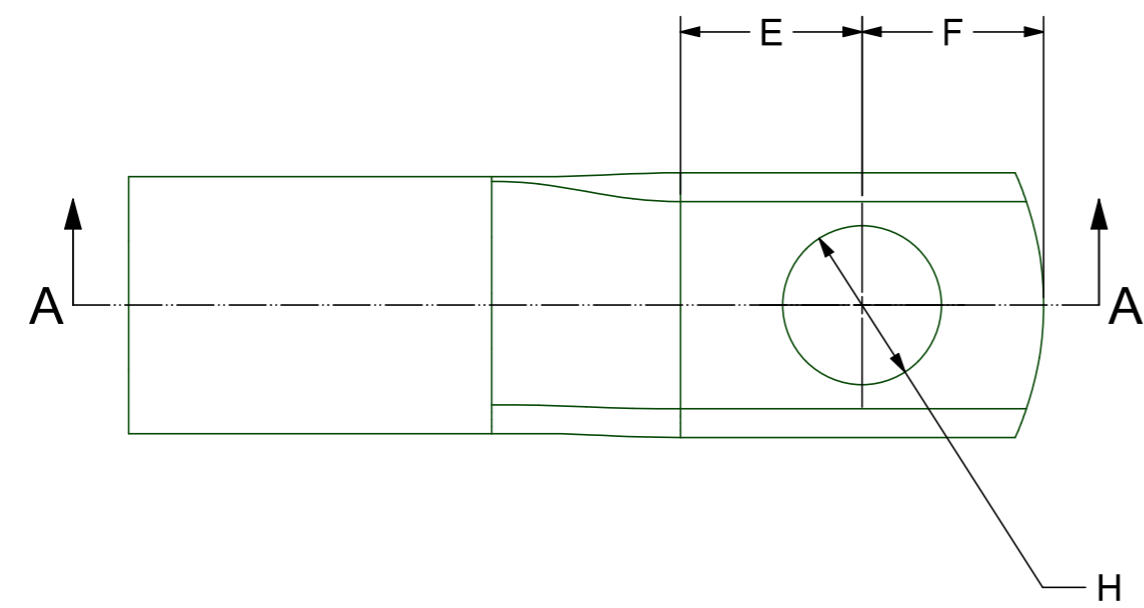
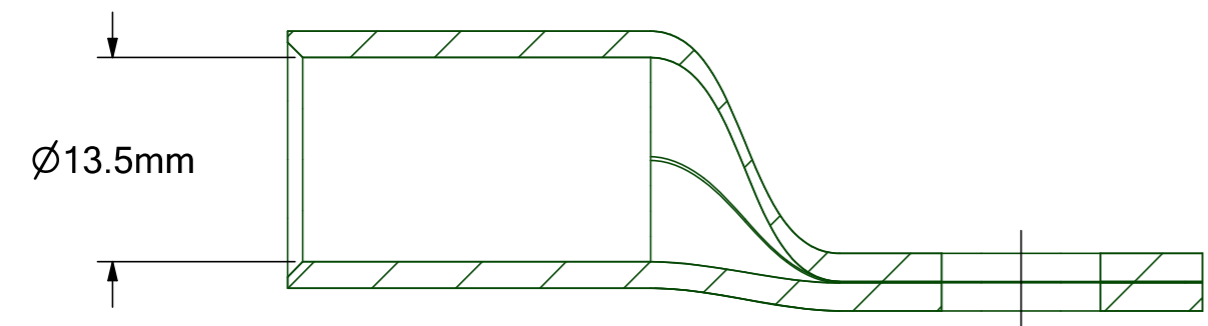


| REVISION HISTORY | |
|------------------|---------------------|
| 1 | Original Concept |
| 2 | Palm Widths Updated |
| 3 | |
| 4 | |

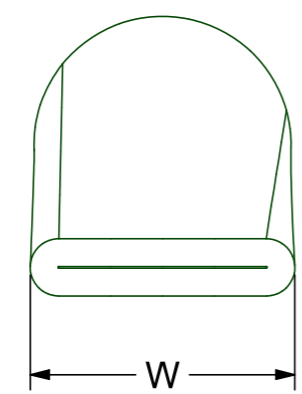


SCALE 1:1



SECTION A-A

| PART NO. | H (mm) | E (mm) | F (mm) | W (mm) |
|------------|--------|--------|--------|--------|
| TCCP-95-6 | 6.5 | 12.0 | 12.0 | 15.0 |
| TCCP-95-8 | 8.5 | 12.0 | 12.0 | 16.0 |
| TCCP-95-10 | 10.5 | 12.0 | 12.0 | 17.0 |
| TCCP-95-12 | 13.0 | 12.0 | 12.0 | 18.0 |



UOS - LINEAR TOLERANCE PERMISSABLE DEVIATIONS FOR SIZE RANGE:
Tolerances according to DIN ISO 2768 (V)

| DIMS IN MM | 0.5 to 3 | >3 to 6 | >6 to 30 | >30 to 120 | >120 to 400 | >400 to 1000 | >1000 to 2000 | >2000 to 4000 |
|------------|----------|---------|----------|------------|-------------|--------------|---------------|---------------|
| | - | ±0.5 | ±1.0 | ±1.5 | ±2.5 | ±4.0 | ±6.0 | ±8.0 |

TOTAL CONNECTIONS
2009

Total Connections 2009 LTD

www.tc2009.co.uk
sales@tc2009.co.uk
Tel 01249 812 707

Drawing No. TCDR 1956 Material. CW024A (C106) COPPER

Part No. TCCP-95-RANGE Finish. 5MICRON ELECTRO TIN PLATED

SIZE A3 Date 31/03/2021 Created By: Ross Davies REV 2

SCALE 2:1 SHEET 1 of 1

Total Connections 2009
Reserves the right to change spec without prior warning,
Please confirm current spec at time of order.